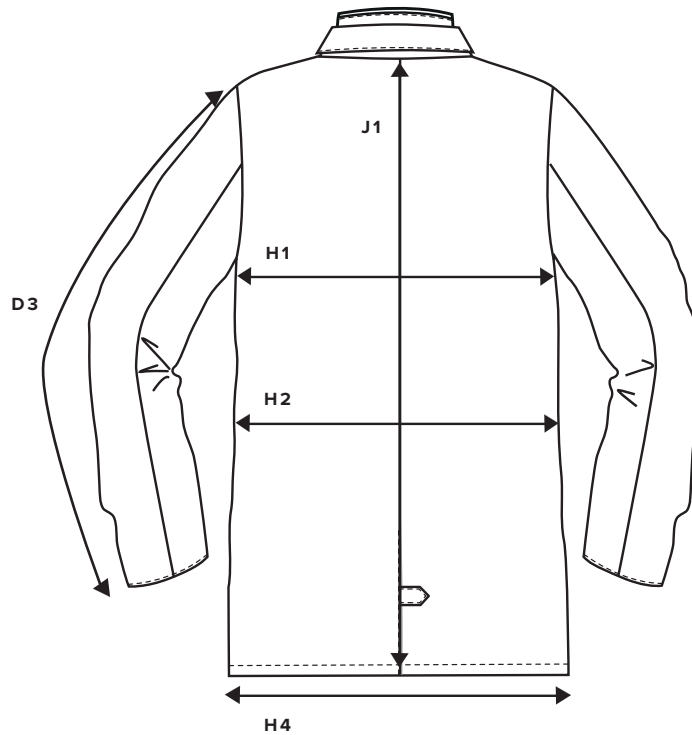




ABINGTON - MEN

HOW TO MESURE THE SIZE AND FIT

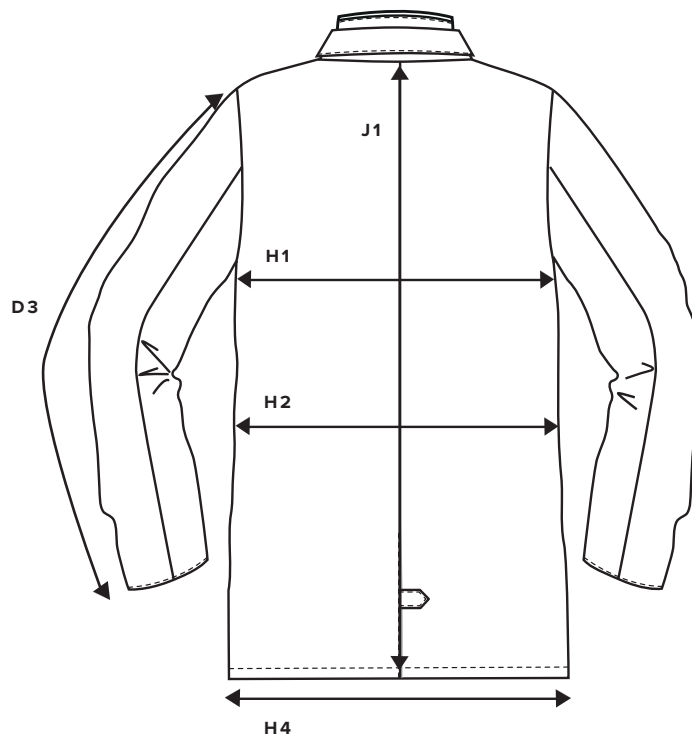


		S	M	L	XL	2XL	3XL
SLEEVE LENGTH - FROM SHOULDERSEAM	D3	65,5	67,25	69	70,75	72,5	74,25
1/2 CHEST WIDTH AT ARMHOLE	H1	55	58	61	64	67	70
1/2 WAIST	H2	55	58	61	64	67	70
1/2 BOTTOM WIDTH	H4	55	58	61	64	67	70
FULL LENGTH AT CENTRE BACK	J1	82	85	88	91	94	97



ABINGTON - WOMEN

HOW TO MESURE THE SIZE AND FIT



		XS	S	M	L	XL	2XL
SLEEVE LENGTH - FROM SHOULDERSEAM	D3	62	63	64	65	66	67
1/2 CHEST WIDTH AT ARMHOLE	H1	50	53	56	59	62	65
1/2 WAIST	H2	46	49	52	55	58	62
1/2 BOTTOM WIDTH	H4	53	56	59	62	65	68
FULL LENGTH AT CENTRE BACK	J1	85	87	89	91	93	95



THE NIMBUS SIZE GUIDE

HOW TO MEASURE

To ensure your complete satisfaction, we recommend that you check your measurements against our sizing chart to determine the right size for you. Make sure to measure directly on the body and then find your size in our size guide.

All measurements are in centimeters.

Feel free to contact our Customer Service at customerservice@nimbusnordic.com if you have additional questions about our sizes.





GENERAL SIZE GUIDE

HOW TO MEASURE

WOMEN

MEASUREMENTS IN CM

	XS	S	M	L	XL	2XL	3XL
CHEST	81 - 84	85 - 88	89 - 92	93 - 98	99 - 104	105 - 110	111 - 118
WAIST	64 - 67	68 - 71	72 - 75	76 - 81	82 - 87	88 - 95	96 - 103
HIP	90 - 93	94 - 97	98 - 101	102 - 107	108 - 113	114 - 119	120 - 127

MEN

	S	M	L	XL	2XL	3XL	4XL	5XL
NECK	37/38	39/40	41/42	43/44	45/46	47/48	49/50	51/52
CHEST	88 - 93	94 - 99	100 - 105	106 - 111	112 - 117	118 - 123	124 - 131	132 - 139
WAIST	76 - 81	82 - 87	88 - 93	94 - 99	100 - 105	106 - 113	114 - 121	122 - 129
HIP	93 - 98	99 - 104	105 - 110	111 - 116	117 - 122	123 - 128	129 - 136	137 - 144

UNISEX

	XXS	XS	S	M	L	XL	2XL	3XL	4XL
CHEST	82 - 85	86 - 89	90 - 93	94 - 99	100 - 105	106 - 111	112 - 117	118 - 123	124 - 131
WAIST	64 - 69	70 - 75	76 - 81	82 - 87	88 - 93	94 - 99	100 - 105	106 - 113	114 - 121
HIP	89 - 92	93 - 96	97 - 100	101 - 104	105 - 110	111 - 116	117 - 122	123 - 128	129 - 136