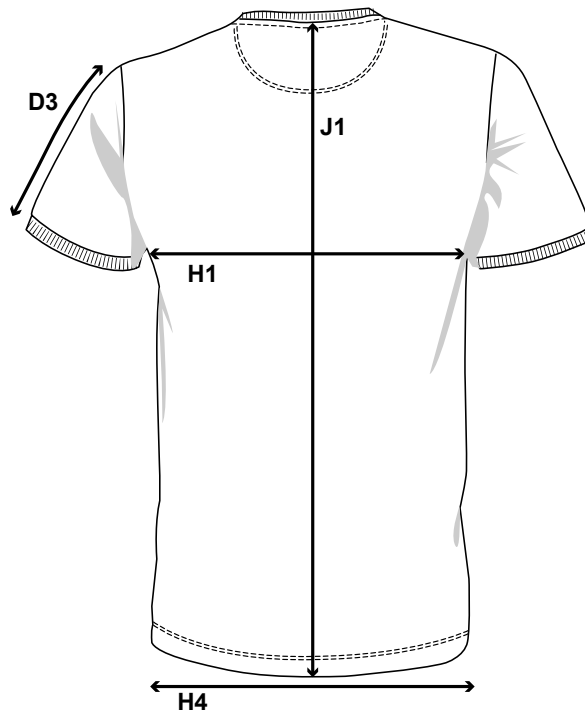




DANBURY - MEN

HOW TO MESURE THE SIZE AND FIT

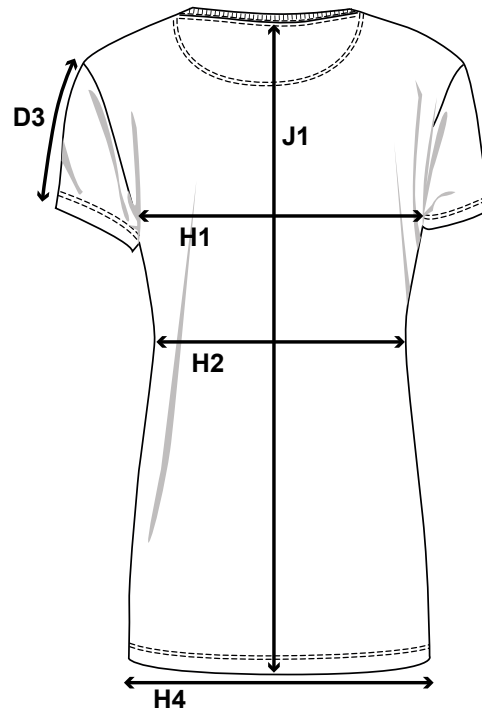


		S	M	L	XL	2XL	3XL	4XL
SLEEVE LENGTH - FROM SHOULDER SEAM INCL SLEEVE RIB	D3	20	21	22	23	24	25	25
1/2 CHEST WIDTH AT ARMHOLE	H1	49	52	55	58	61	64	67
1/2 BOTTOM WIDTH	H4	49	52	55	58	61	64	67
FULL LENGTH AT CENTRE BACK	J1	68	70	72	74	76	78	78



DANBURY - WOMEN

HOW TO MESURE THE SIZE AND FIT



		XS	S	M	L	XL	2XL	3XL
SLEEVE LENGTH - FROM SHOULDER SEAM	D3	12	13	14	15	16	17	18
1/2 CHEST WIDTH AT ARMHOLE	H1	41	44	47	50	53	57	61
1/2 WAIST	H2	38,5	41,5	44,5	47,5	50,5	55,5	59,5
1/2 BOTTOM WIDTH	H4	40	43	46	49	52	56	60
FULL LENGTH AT CENTRE BACK	J1	57	59	61	63	65	67	69



THE NIMBUS SIZE GUIDE

HOW TO MEASURE

To ensure your complete satisfaction, we recommend that you check your measurements against our sizing chart to determine the right size for you. Make sure to measure directly on the body and then find your size in our size guide.

All measurements are in centimeters.

Feel free to contact our Customer Service at customerservice@nimbusnordic.com if you have additional questions about our sizes.





GENERAL SIZE GUIDE

HOW TO MEASURE

WOMEN

MEASUREMENTS IN CM

	XS	S	M	L	XL	2XL	3XL
CHEST	81 - 84	85 - 88	89 - 92	93 - 98	99 - 104	105 - 110	111 - 118
WAIST	64 - 67	68 - 71	72 - 75	76 - 81	82 - 87	88 - 95	96 - 103
HIP	90 - 93	94 - 97	98 - 101	102 - 107	108 - 113	114 - 119	120 - 127

MEN

	S	M	L	XL	2XL	3XL	4XL	5XL
NECK	37/38	39/40	41/42	43/44	45/46	47/48	49/50	51/52
CHEST	88 - 93	94 - 99	100 - 105	106 - 111	112 - 117	118 - 123	124 - 131	132 - 139
WAIST	76 - 81	82 - 87	88 - 93	94 - 99	100 - 105	106 - 113	114 - 121	122 - 129
HIP	93 - 98	99 - 104	105 - 110	111 - 116	117 - 122	123 - 128	129 - 136	137 - 144

UNISEX

	XXS	XS	S	M	L	XL	2XL	3XL	4XL
CHEST	82 - 85	86 - 89	90 - 93	94 - 99	100 - 105	106 - 111	112 - 117	118 - 123	124 - 131
WAIST	64 - 69	70 - 75	76 - 81	82 - 87	88 - 93	94 - 99	100 - 105	106 - 113	114 - 121
HIP	89 - 92	93 - 96	97 - 100	101 - 104	105 - 110	111 - 116	117 - 122	123 - 128	129 - 136